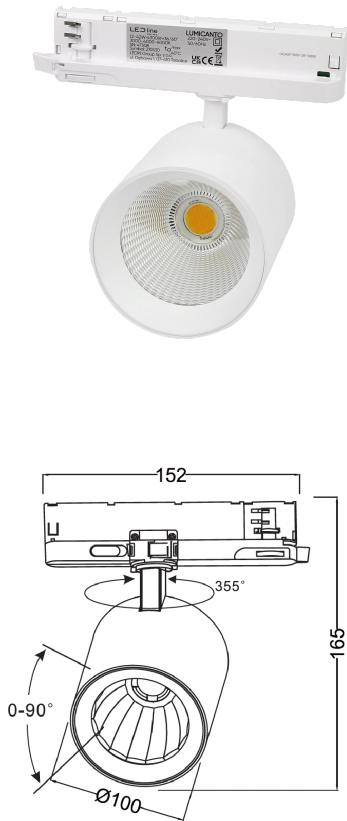


Track light LUMICANTO 6-20W CCT 36/60° white PRIME

Customize the light to your needs.

Lumicanto luminaires in the 6-20W version feature a wide range of versions available in a single luminaire. Thanks to the possibility of adjusting the colour temperature in the range: 3000K / 4000K / 6000K , 8 different power settings in the range: 6-20W and the 2 types of reflector available as a set: 36 and 60° offers 48 different setting versions. The colour temperature is adjusted using a switch on the power supply. Power is set via a DIP Switch also located on the power supply, which can be accessed quickly and easily by simply lifting the safety cover. Thanks to their versatility in terms of colour, power and beam angle, luminaires from the LUMICANTO series are ideal for illuminating office spaces, shopping malls, museums and modern interior design.

The high $R_a > 90$ coefficient is ideal for displaying illuminated surfaces and objects, ensuring faithful colour rendering. The highest-quality components used, such as didoy Bridgelux and the KGP power supply, guarantee high luminous efficacy and durability.



Lamp's diameter



Ambient temperature suitable for operation



IK protection rating



Material (cover)



IP protection rating



Voltage range and voltage type



IEC protection class



Material (housing)



Power Factor

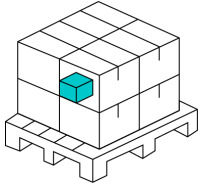
Parameter	Value
Luminous efficacy	do 105 lm/W
Power	6-20 W
Colour of the light	White
Energy efficiency class 2019/2015	E
Luminous flux	620-2000 lm
Correlated colour temperature	3000-4000-6000 K
Colour consistency in McAdam ellipses	≤6
IP protection rating	20
Warranty (years)	5
Survival factor	0,9
Mounting type	3 phase rail
Supply voltage range and voltage type	220-240 VAC
Frequency of the supply voltage	50/60Hz
Colour rendering index Ra	90
Colour	White
The lumen maintenance factor	96 %

Parameter	Value
Material (housing)	aluminum
LED type	COB-BRIDGELUX
LED quantity	1
Lifespan	50000
Power Factor	>0,7
Number of on/off cycles	25000
Ambient temperature suitable for operation	5÷40 °C
For indoor use	Inside
IEC protection class	II
IK protection rating	06
Width	152 mm
Height	164 mm
Product weight with packaging	772 g
EPREL ID	2154 358
Is the product equipped with an integrated light source? (EPREL)	Yes
Non-directional or directional light source (EPREL)	NDLS

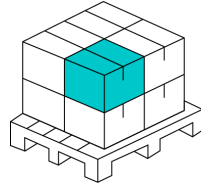
Lamp's diameter	100
Beam angle	60/36°
Material (cover)	clear glass

Mains or non- mains light source (EPREL)	NMLS
Connected light source (EPREL)	No
Colour-tuneable light source (EPREL)	No

Single packaging



Bulk packaging



Outer box quantity

20 pcs.

Europallet

